

# GV30-Switch

## DESCRIPTION

The GV30-Switch closes an electrical contact when the gas reaches a set pressure. It is not a safety feature. It is the OEM's responsibility to comply with applicable certifications.

## TECHNICAL DATA

- **Approval:** .... CE & CSA Approval is pending for the GV30-Switch
- **Fuels:** .....
  - CE: EN 437 gas family 1,2,3
  - CSA: natural, manufactured, mixed gases, liquefied petroleum gases, LP gas-air mixtures
- **Maximum inlet pressure:** ..... 50 mbar (1/2 PSI)
- **Required pressure:** .....
  - Maximum to close the contact: 5.0 mbar (2.0" w.c.)
  - Minimum to open the contact: 0.5 mbar (0.2" w.c.)
- **Ambient Temperature range:** ..... 0 °C to 110 °C (32 °F to 230 °F)
- **Power Supply:** ..... 5 to 24 VDC
- **Maximum current:** ..... 500 mA
- **Electrical Connection:** ..... 4.8 mm male spade (3/16")
- **Gas connection:** .....
  - Main gas: 3/8" BSP; 3/8" NPT
  - Pilot gas: M10x 1 Thread for 6 and 4 mm compression fitting, 11/32" UNS double thread for 1/4" and 3/16" compression fitting

## TYPICAL APPLICATIONS

### Main gas LED

When used with the main gas outlet, the GV30-Switch can be used to turn ON an LED when the main burner is ON and to turn OFF the LED when the main burner is OFF.

### Pilot gas LED

When used with the pilot gas outlet, the GV30-Switch can be used to turn ON an LED when the pilot burner is ON and to turn OFF the LED when the pilot burner is OFF.

### Oil pump

A normally closed relay can be wired in parallel with an LED. (e.g. If pilot gas is flowing, the relay will interrupt the power supply to the pump.)

## ACCESSORIES

- Accessories. e.g. LED, Relay, Wiring, Mains Adapter are not included.
- LED with integrated current limit require a corresponding mains adapter.

## ADAPTERS

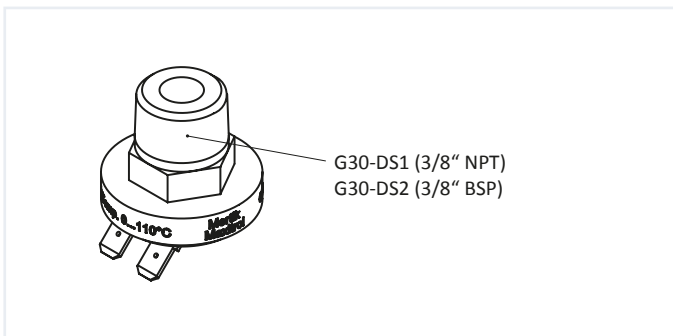


Fig. 1: GV30-Switch with thread to main valve outlet.

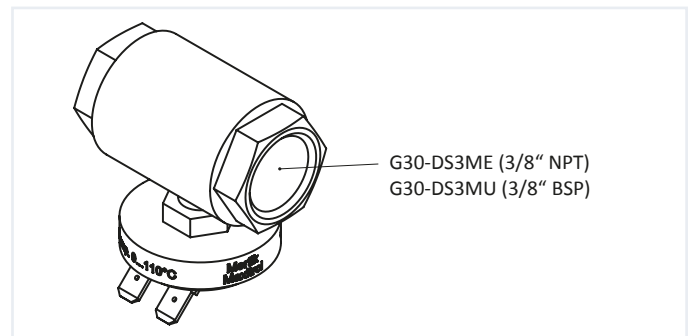


Fig. 2: GV30-Switch with adapter to main gas pipe.

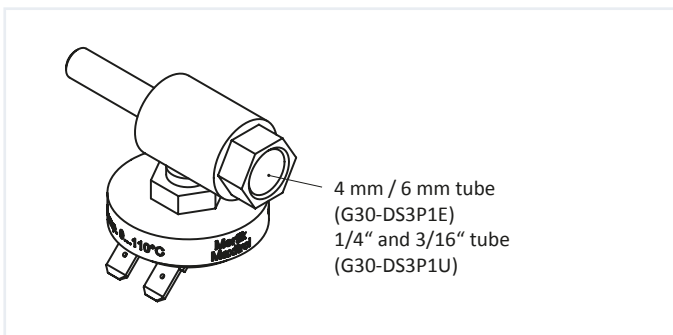


Fig. 3: GV30-Switch with adapter to valve pilot outlet.

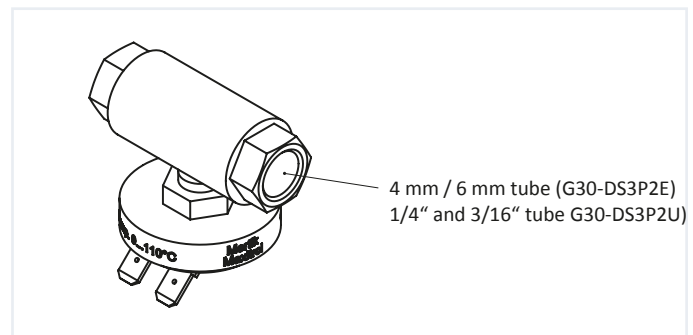


Fig. 4: GV30-Switch with adapter to pilot gas pipe.

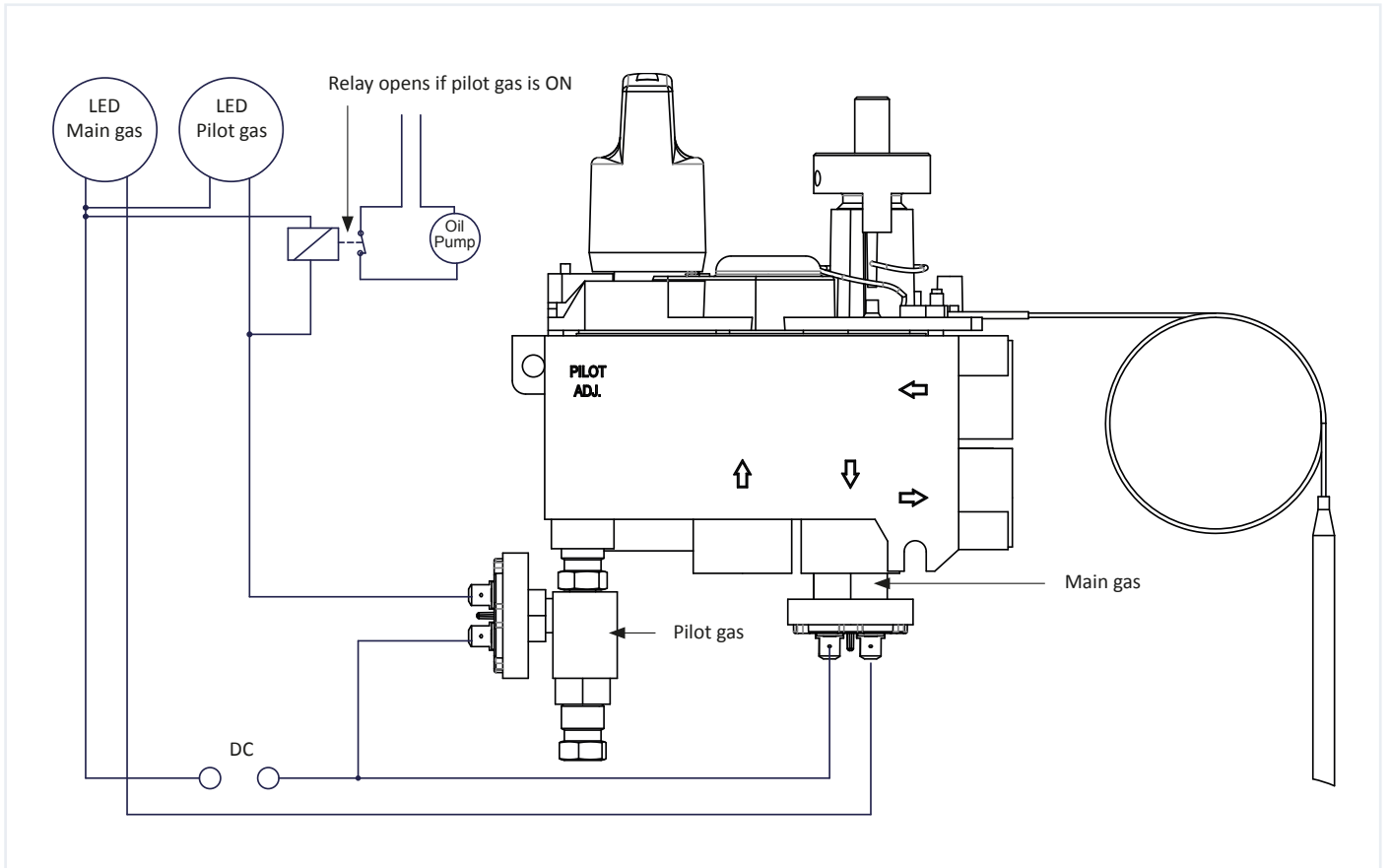


Fig. 5: Pilot gas and main gas installation

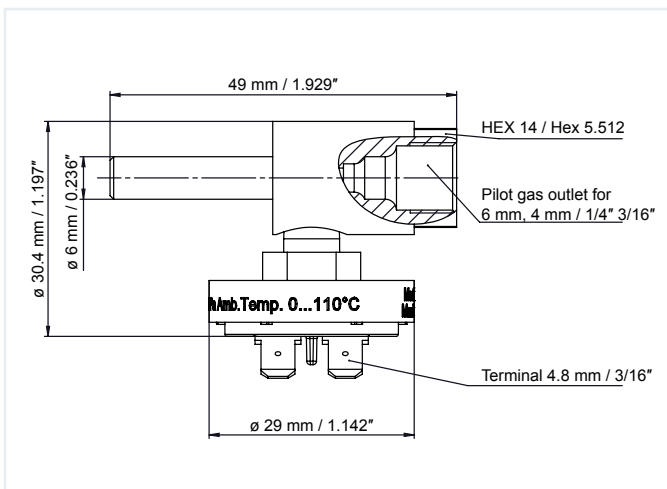


Fig. 6: GV30-Switch with adapter to valve pilot outlet (pilot gas).

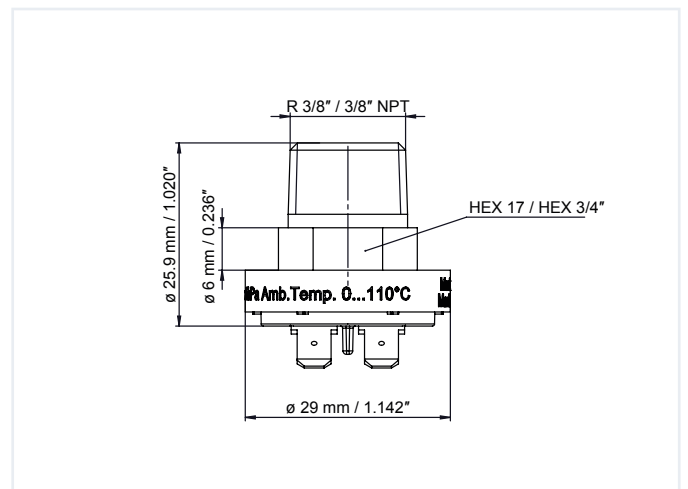


Fig. 7: GV30-Switch with thread to main valve outlet (main gas).